

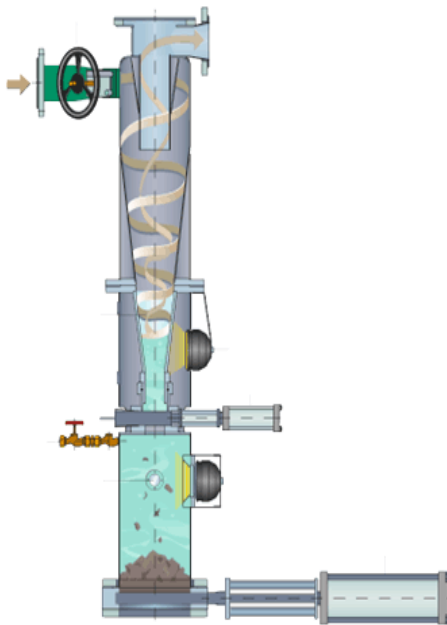


Cellwood Machinery

Grubbens High Density Cleaner

Efficient removal of sand- and heavy density rejects.

Grubbens High Density Cleaner, is effective in separation of high density particle sizes down to 250 μm .



Digester disruption due to sedimentation:

1. Loss of effective volume.
2. Abrasive in contact to rotating machines and pipes.
3. Agitator failure, due to high density load.
4. Extensive downtime with loss of biogasproduction.

